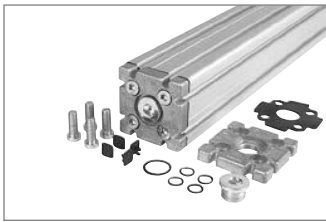
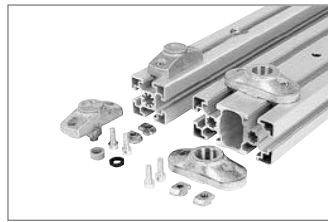


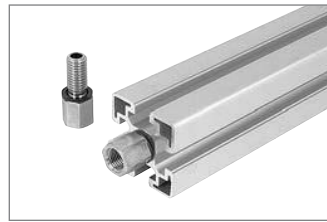
Air-supply elements



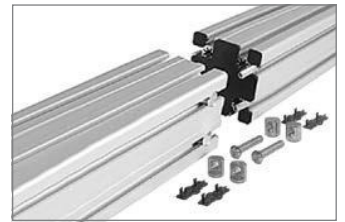
Flanged plate (p. 5-3)



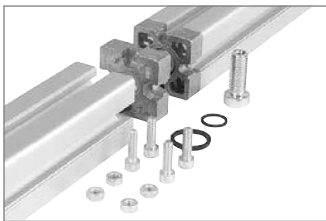
Connection piece (p. 5-4)



Connection screw fitting
M12-1/4" (p. 5-4)



Longitudinal end connector
(p. 5-5)

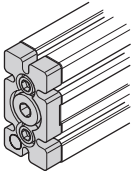


Longitudinal end connector
45 Pneu (p. 5-6)



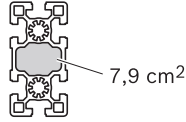
T-connector 45 Pneu
(p. 5-6)

45x90
(p. 2-43)



19584

45x90

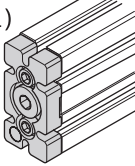


00109732

Air-supply elements

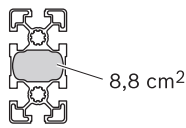
- ▶ Rexroth **strut profiles** can be used as compressed-air lines and reservoirs. The hollow chambers or central holes are used
- ▶ **Flanged plate** for end closing of profiles (p. 5-3)
- ▶ Compressed-air intake or discharge at the flanged plate, **connection piece**, or **connection screw fitting** (p. 5-4)
- ▶ Air-tight connecting of profiles with **longitudinal end connectors or T-connectors** (p. 5-6, 5-5)
- ▶ The use of the heavy-duty profiles is preferable in the case of more demanding leak-tightness requirements (e.g. for underwater applications)

45x90L
45x90L 2N
45x90L 3NVS
(p. 2-41)



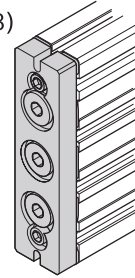
19585

45x90L



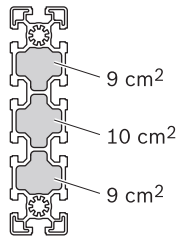
00109731

45x180
(p. 2-43)



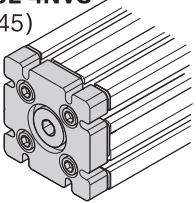
19586

45x180



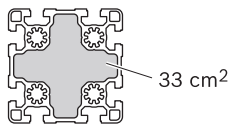
00109733

90x90L
90x90L 4N
90x90L 4NVS
(p. 2-45)



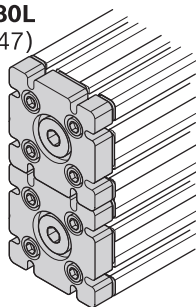
19587

90x90L



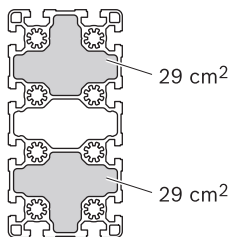
00109730

90x180L
(p. 2-47)

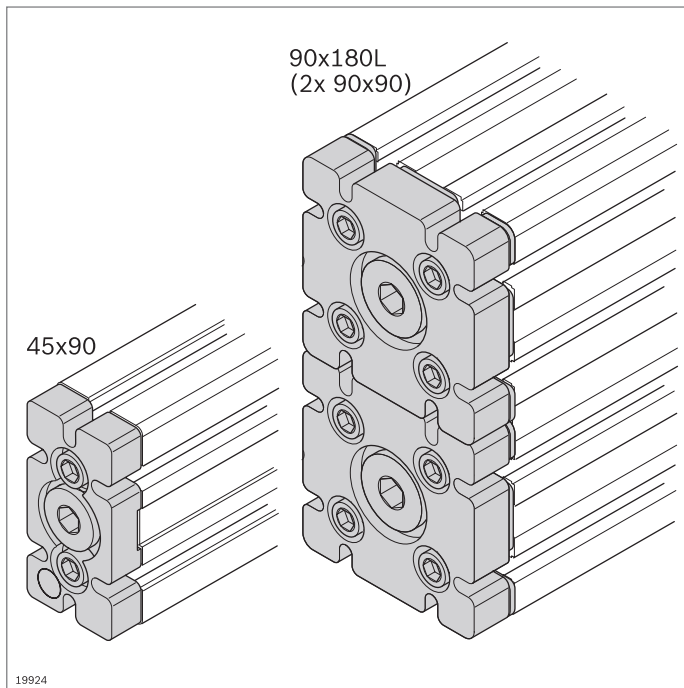


19588

90x180L



00109734

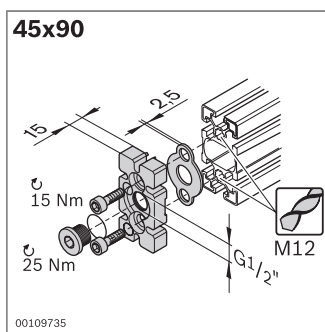


Flanged plate



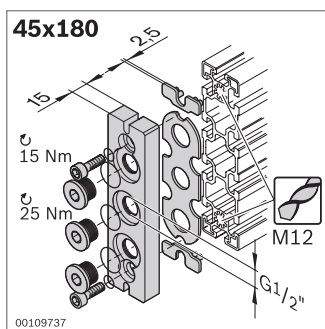
- ▶ For sealing the ends of the hollow chambers. This enables the profiles to be used as a compressed-air line
- ▶ For compressed-air introduction or removal when screw plugs are replaced by pneumatic screw fittings
- ▶ Profile finishing: M12 thread cutting in the central holes
- ▶ For a maximum pressure (p_{max}) of 8 bar

5



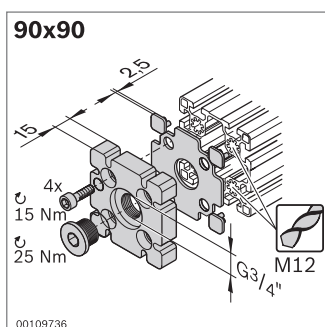
FS1

DIN 7984
M12x30



FS2

DIN 7984
M12x20



FS1

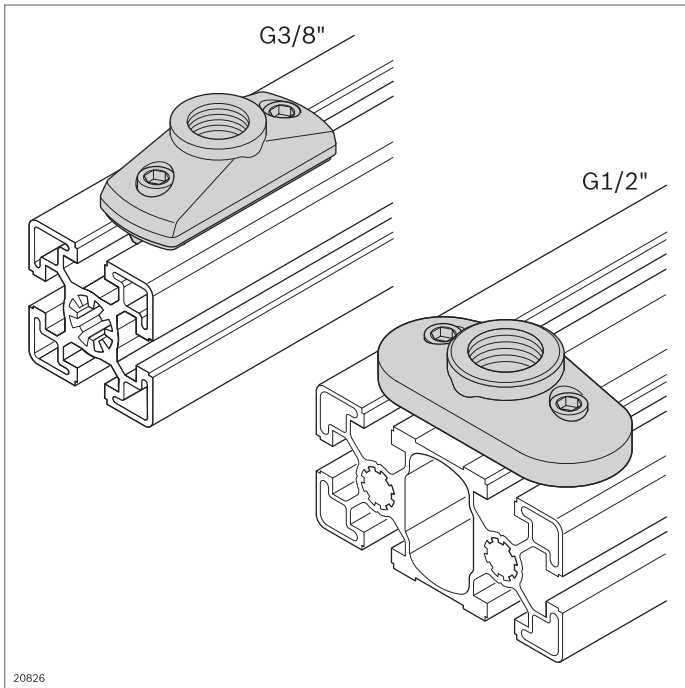
DIN 7984
M12x30

Flanged plate	No.	FS
45x90	3 842 523 097	2xFS1
Material:	Flanged plate: Diecast aluminum Seal: NBR Fastening material: Steel; galvanized	
Scope of delivery:	Incl. fastening material (FS), screw plug, seals	

Flanged plate	No.	FS
45x180	2 3 842 535 721	2xFS2
Material:	Flanged plate: Aluminum Seal: NBR Fastening material: Steel; galvanized	
Scope of delivery:	Incl. fastening material (FS), 2 x spacer, 3 x screw plug, seals	

Flanged plate	No.	FS
90x90	3 842 523 098	4xFS1
Material:	Flanged plate: Diecast aluminum Seal: NBR Fastening material: Steel; galvanized	
Scope of delivery:	Incl. fastening material (FS), 4 x spacer, screw plug, seals	

Notice: Only suitable for light profiles 90x90L and 90x180L.



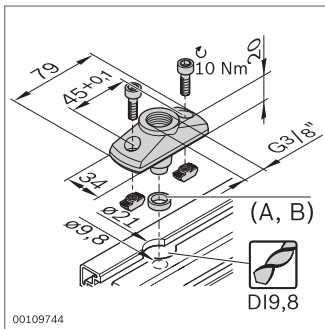
20826

Connection piece Connection screw fitting M12-1/4"

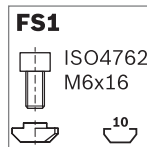


Connection piece

- ▶ For compressed-air intake or discharge at any point on the profile
- ▶ G3/8" for connection at central profile bore
- ▶ G1/2" for connection at hollow chamber
- ▶ Suitable for light and standard profiles
 - Profile finishing: Blind hole DI9.8; blind hole $\varnothing 21$ mm (drilling jig **3 842 528 574**, p. 14-3)
- ▶ For a maximum pressure (p_{max}) of 8 bar

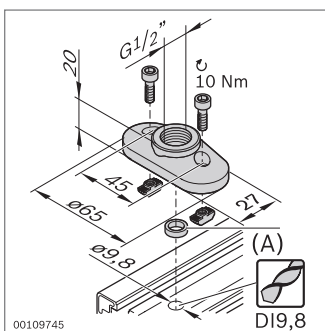


00109744

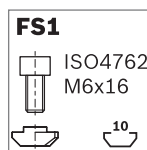


FS1
ISO4762
M6x16

Connection piece	No.	FS
G3/8"	3 842 523 092	2xFS1
Material:	Connection piece: Diecast aluminum Seal: NBR	
Scope of delivery:	Incl. fastening material, seals (A, B)	
Accessories:	Seals A, B (p. 5-6)	

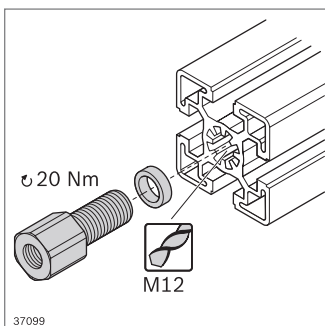


00109745

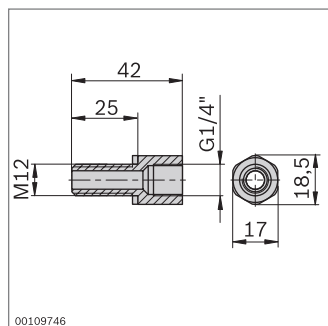


FS1
ISO4762
M6x16

Connection piece	No.	FS
G1/2"	3 842 352 085	2xFS1
Material:	Connection piece: Diecast zinc Seal: NBR	
Scope of delivery:	Incl. fastening material, seal (A)	
Accessories:	Seal A (p. 5-6)	



37099

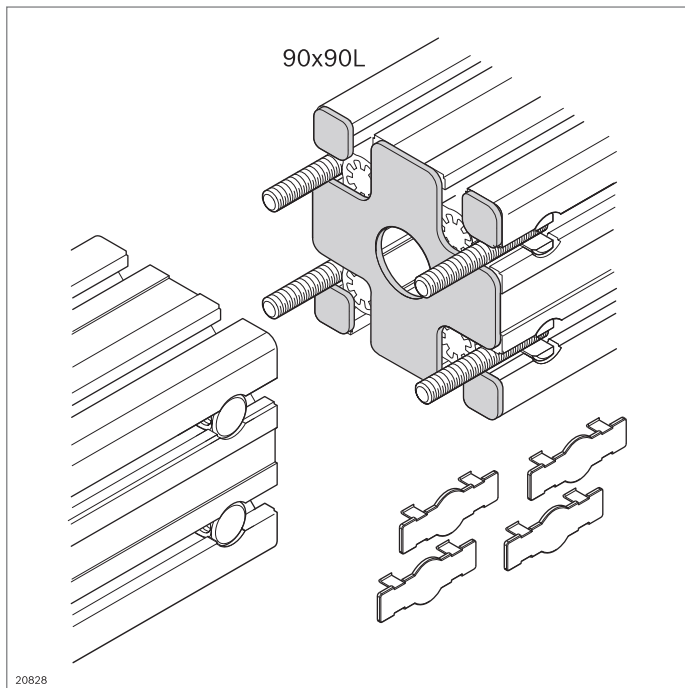


00109746

Connection screw fitting M12-1/4"

- ▶ For screw fitting in central profile bore
- ▶ Profile finishing: M12
- ▶ For a maximum pressure (p_{max}) of 8 bar

Connection screw fitting	No.
M12-1/4"	10 3 842 535 719
Material:	Connection screw fitting: Steel; galvanized Seal: PVC; hard
Scope of delivery:	Incl. Seal



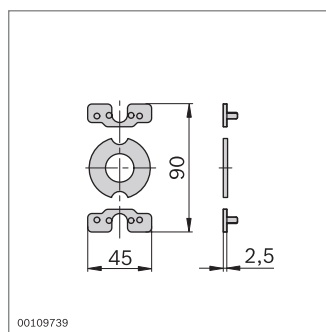
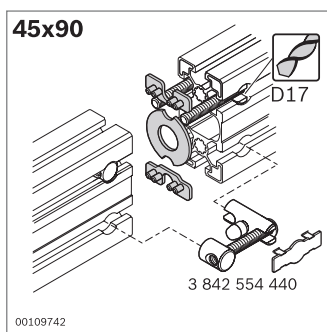
Longitudinal end connection



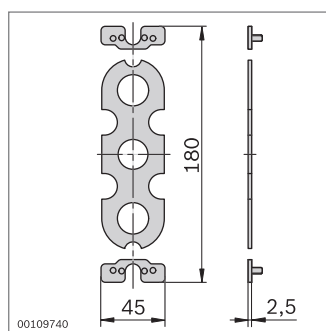
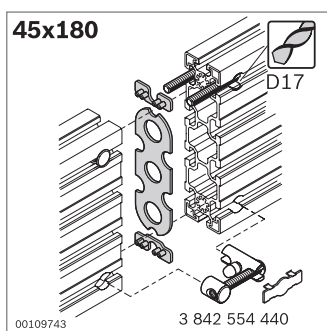
- ▶ Seal for end-to-end connection of profiles carrying compressed air
- ▶ Profile finishing: Through-hole D17 (45x90, 45x180); blind hole LF (90x90L)
- ▶ For a maximum pressure (p_{max}) of 8 bar

Required accessories:

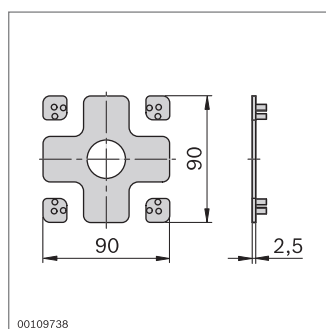
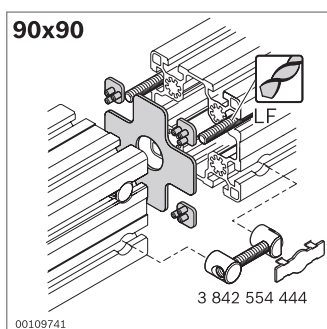
Longitudinal end connector for profile connection (p. 3-59)



Longitudinal end connection	No.
45x90	3 842 508 087
Material:	Seal: PUR Spacer: PA
Scope of delivery:	Seal, 2 x spacer

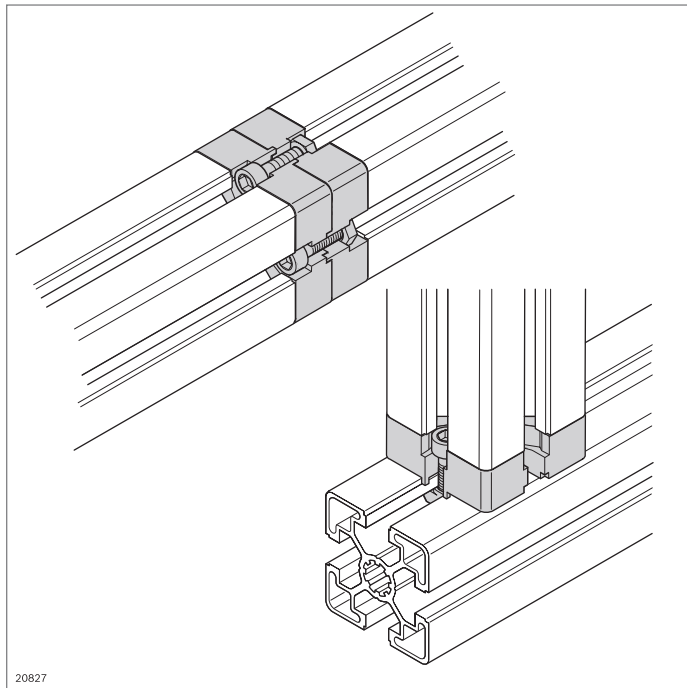


Longitudinal end connection	No.
45x180	3 842 508 088
Material:	Seal: NBR Spacer: PA
Scope of delivery:	Seal, 2 x spacer



Longitudinal end connection	No.
90x90	3 842 510 145
Material:	Seal: NBR Spacer: PA
Scope of delivery:	Seal, 4 x spacer

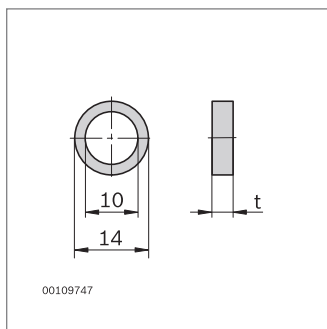
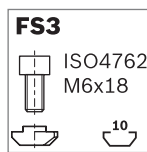
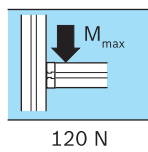
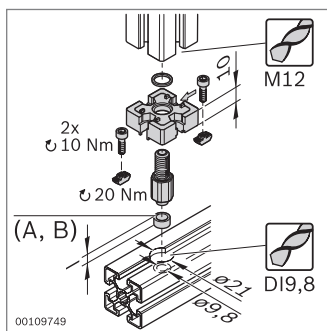
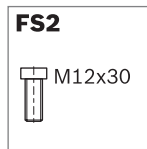
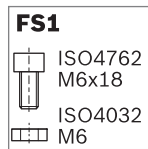
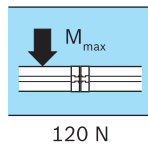
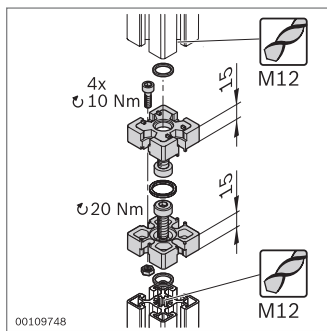
Notice: Only suitable for light profile 90x90L.



Longitudinal end connector 45 Pneu
T-connector 45 Pneu, seal



- ▶ Longitudinal end connector 45 Pneu for end face mechanical and pneumatic connections of two 45x45 or 45x45L profiles for using the central hole as a compressed-air line
- ▶ T-connector 45 Pneu for the mechanical and pneumatic connection of two 45x45 or 45x45L profiles at under a 90° angle for using the central hole as a compressed-air line
- ▶ Profile finishing: M12 in central hole; blind hole DI9.8; blind hole ø21 mm (drilling jig **3 842 528 574**, p. 14-3)
- ▶ For a maximum pressure (p_{max}) of 8 bar



Longitudinal end connector	No.	FS
45 Pneu	3 842 523 094	4xFS1, 2xFS2

Material: Longitudinal end connector: Diecast aluminum
 Seal: NBR

Scope of delivery: Incl. fastening material, sealing rings

T-connector	No.	FS
45 Pneu	3 842 523 093	2xFS3

Material: T-connector: Diecast aluminum
 Seal: NBR

Scope of delivery: Incl. fastening material, seals (A, B) for standard and light profiles

- ▶ Seal for connection piece and T-connector

Seal	t (mm)	No.
A For standard profiles	4 10	3 842 503 242
B For light profiles	7 10	3 842 523 102

Material: NBR