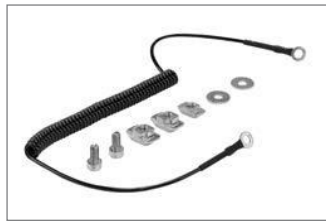


Components for ESD applications



Set of grounding components (p. 17-2)



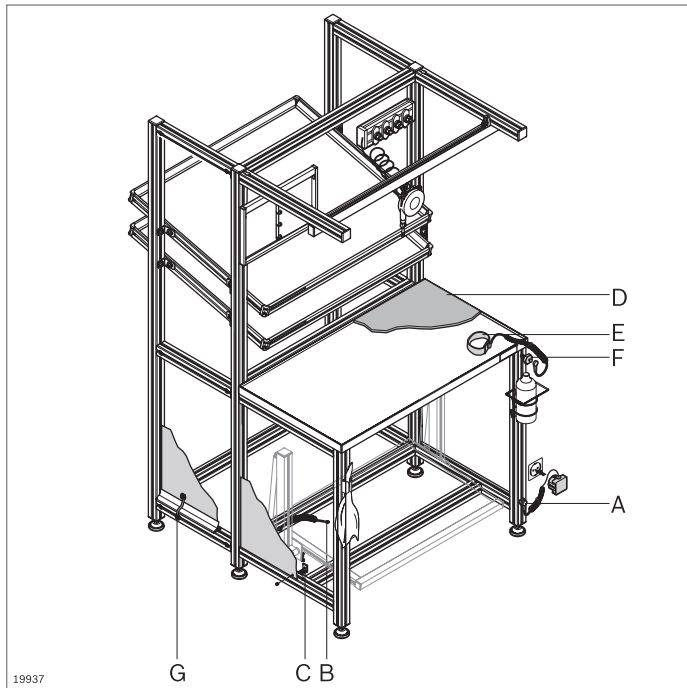
Grounding cable (p. 17-2)



Potentialfix (p. 17-3)



Wrist band, connection piece (p. 17-3)



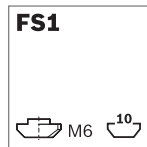
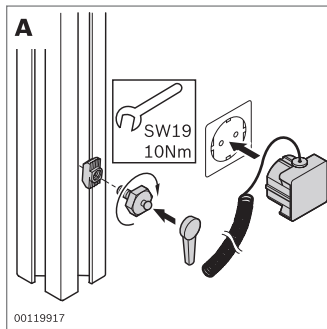
Components for ESD applications



ESD – Electro Static Discharge

Components which, due to their electrical properties and inner structure, are damaged or destroyed by static discharge also cause economic losses running into millions of euros each year.

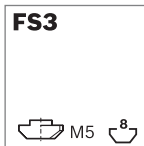
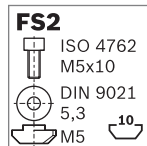
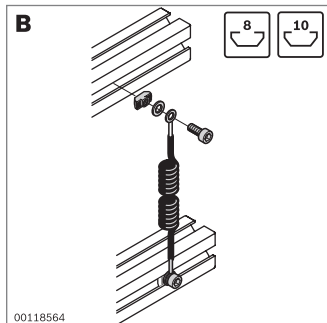
You can use Rexroth components for ESD applications to protect your products from this type of damage. Look for the ESD mark when selecting products (⚡).



- ▶ Set of grounding components for defined grounding of ESD workstations
- ▶ Conduction resistance $R = 1 \times 10^6 \Omega$

Accessories:

Damping ring or damping plate for insulation from conductive floors makes defined conduction possible (p. 6-4, 6-6)



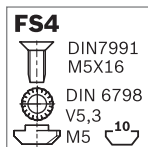
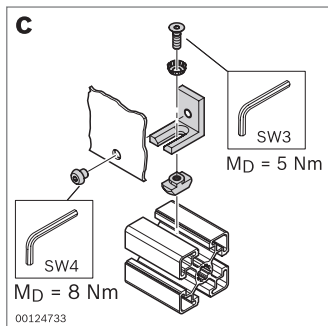
- ▶ Grounding cable to create defined conductive paths between strut profiles in order to protect ESD-sensitive components

Set of grounding components	ESD No.	FS
A	⚡ 3 842 522 087	FS1

Material: Fastening material: Steel; galvanized
Scope of delivery: Incl. fastening material (FS)

Grounding cable	ESD No.	FS
B	⚡ 3 842 519 465	2xFS2, FS3

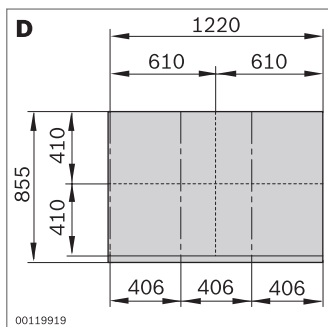
Material: Fastening material: Steel; galvanized
Scope of delivery: Incl. fastening material (FS)



- ▶ Potentialfix for defined grounding of panel elements such as side panels

Potentialfix	ESD No.	FS
C	3 842 536 320	FS4, FS5

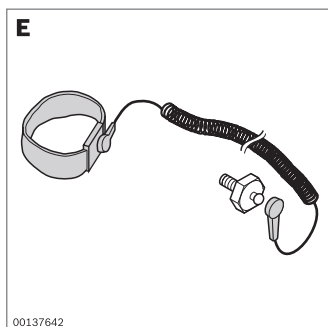
Material: Bracket: Aluminum
Fastening material: Steel; galvanized
Scope of delivery: Incl. fastening material (FS)



- ▶ ESD mat insert for protecting ESD-sensitive components
- ▶ To create a safe, conductive connection, e.g. to ESD material shelves, we recommend using adhesive copper tape
- ▶ Conduction resistance $R = 10^4 \dots 10^9 \Omega$

ESD mat insert	ESD No.
D 1220 mm x 855 mm	3 842 522 012

Material: Rubber (thickness: 2 mm)



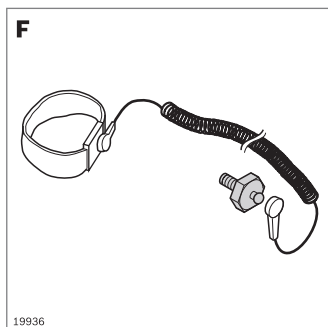
- ▶ Wrist band for defined grounding of people and protection of ESD-sensitive components

Required accessories:

- ▶ Connection piece
- ▶ T-nut M6, or swivel-in sliding block, with spring, M6

Wrist band	ESD No.
E	3 842 516 908

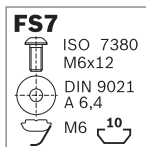
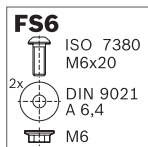
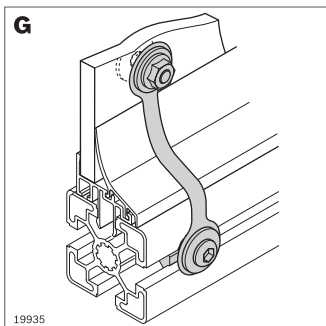
Material: Textile with woven-in conductive plastic; navy blue



- ▶ Connection piece for connecting the wrist band to the profile construction

Connection piece	ESD No.
F	10 3 842 516 905

Material: Steel; galvanized



- Potential equalizer for creating electrostatic conduction between panel elements and strut profiles

Potential equalizer	ESD	No.	FS
G	 10	3 842 536 148	FS6, FS7

Material: Strip steel, stainless
Fastening material: Steel; galvanized

Scope of delivery: Incl. fastening material (FS)